

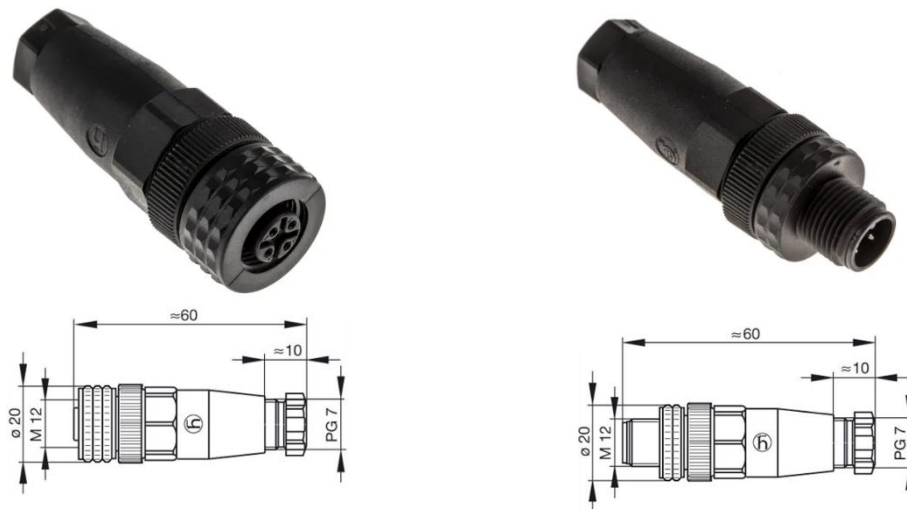
M12 Connectors

for the WireFlow Battery Monitoring and Balancing Nodes

The M12 connectors are intended for use with the LINK communication interface in WireFlow Battery Monitoring and Balancing Systems.

They are designed to provide a reliable and robust connection between Battery Monitoring and Balancing Nodes and Gateways when assembling custom LINK cables.

The connectors are M12 4-position A-coded types and are suitable for low-voltage data communication in daisy-chain configurations.



Typical use

- Assembly of custom LINK cables for Battery Monitoring and Balancing Systems
- Connection between Battery Monitoring and Balancing Nodes and Gateways
- Replacement or service cables in laboratory and industrial test setups

Ordering information

Article no	Product
AE0052	M12 connector, 4-position, A-coded, plug (male)
AE0053	M12 connector, 4-position, A-coded, socket (female)

